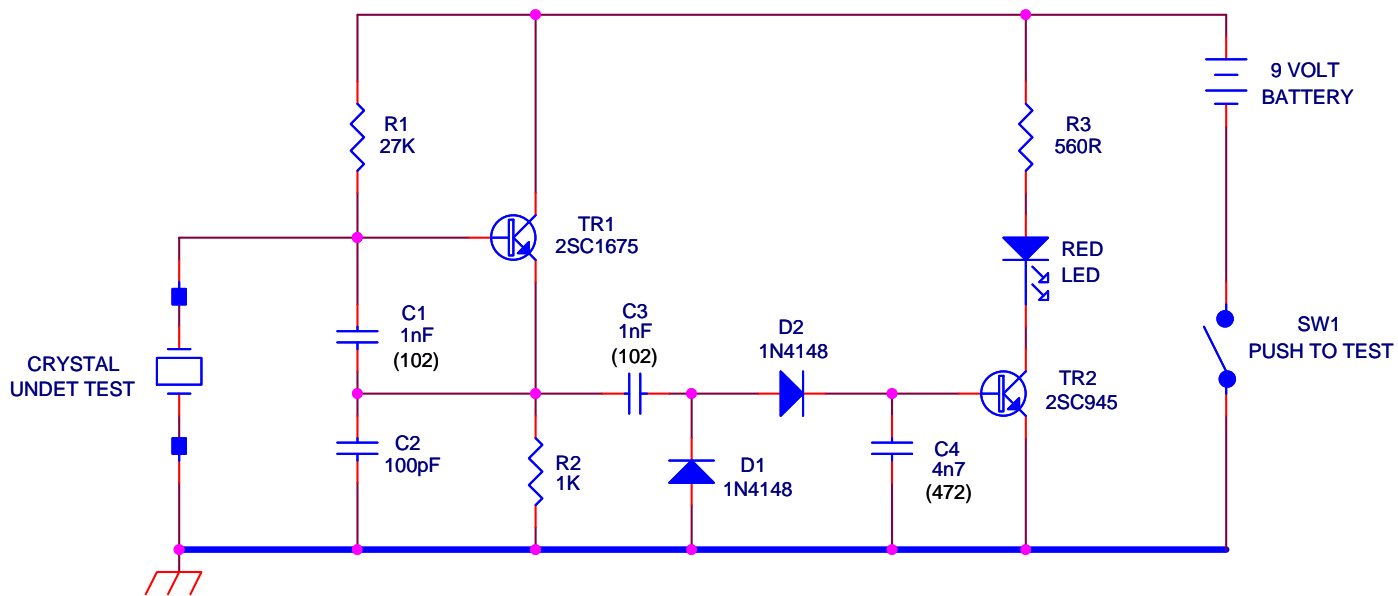


ERC CRYSTAL TESTER



This Crystal tester will test Xtals from 50 KHz to 30 MHz.

If the Crystal is working ok then the LED will light up.

If the Crystal is bad then the LED will not light up.

SW1 is push button switch.
All resistors are 1/8 to 1/4 watt.
All Caps are Ceramic disc.
The LED can be any colour you like.

Copyright (c) Rick Jackson Euro Radio Co		
Title ERC Crystal Tester		
Size	Document Number ERC CRYSTAL TESTER.SCH	Rev 0.1
Date:	Sunday, August 31, 2008	Sheet 1 of 1