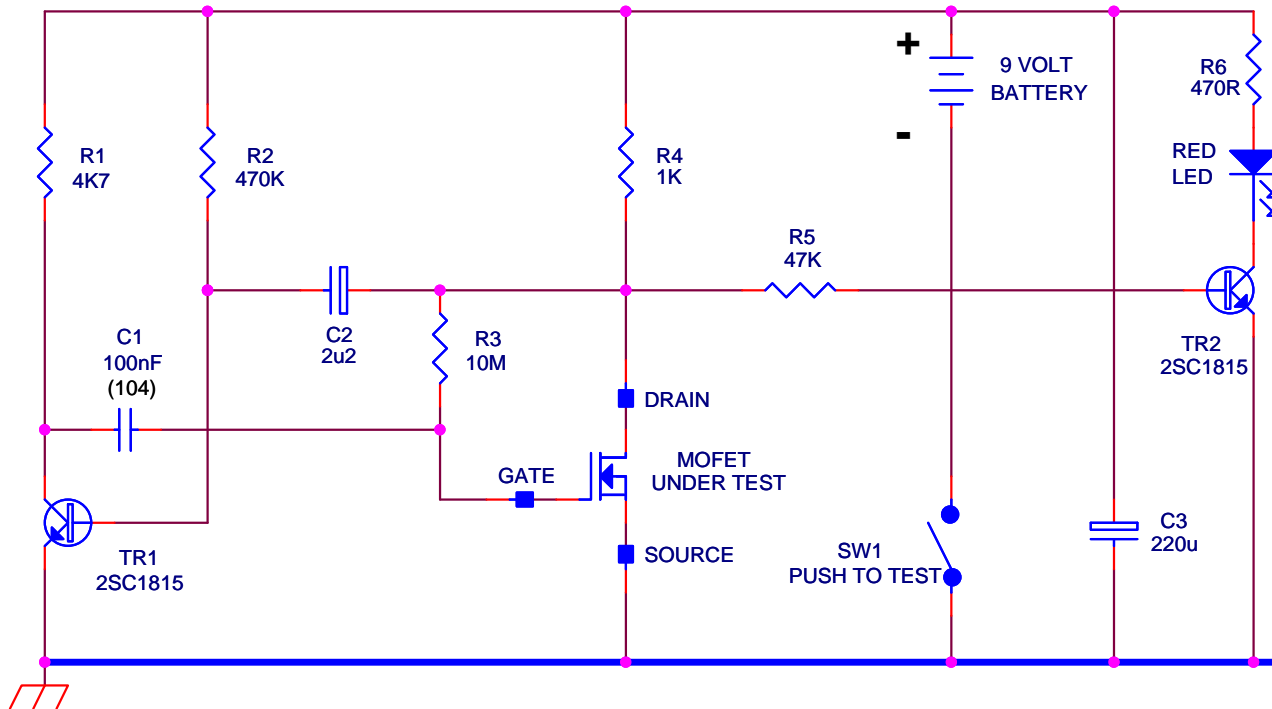


ERC N-CHANNEL MOSFET TESTER



Circuit was recently developed to test N-Channel Mosfets like IRF520, ERF2030.

I do not claim the circuit can test all Mosfets or all Mosfets faults.

If the Mosfet is working ok then the Led to flash.

If the Mosfet is bad then the LED will not flash.

SW1 is push button switch.

TR1 and TR2 can be any NPN with cd 250ma or greater.

All resistor 1/8 to 1/4 watt.

C2 and C3 are 16 volt but 10 volt will do.

The LED can be any colour you like.

Copyright (c) Rick Jackson Euro Radio Co

Title		
ERC N-Channel Mosfet Tester		
Size	Document Number	Rev
	ERC MOSFET TESTER.SCH	0.1
Date:	Sunday, August 31, 2008	Sheet 1 of 1