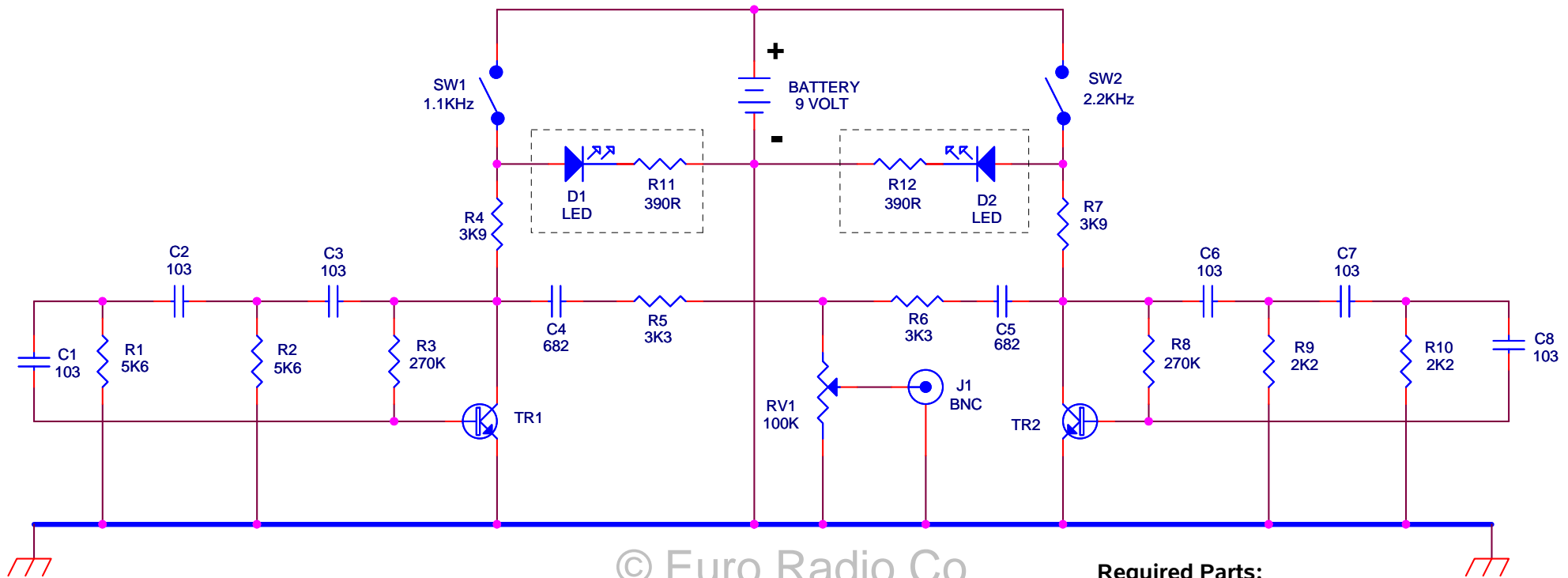


# ERC TWO TONE TEST GENERATOR



© Euro Radio Co

## Construction Information :

Build the Two Tone Gen in a small metal box, dia-cast box is best. The capacitors should be Mylar or Polystyrene type. All the resistors are 1/8 or 1/4 watt type. You can use any general purpose audio frequency transistors for TR1 and TR2.

The original was construction on a Veroboard. Just remember to keep all leads as short as possible.

LED D1, D2, R11, and R12 are optional, use low current 3mm LED's or the battery will not last a long time.

The LED's are useful if you have a habit living it switch on.

## Required Parts:

- 6 10nF (103/M) Mylar capacitor.
- 2 6.8nF (682/M) Mylar capacitor.
- 2 2K2 Resistor.
- 2 3K3 Resistor.
- 2 3K9 Resistor.
- 2 5K6 Resistor.
- 2 270K Resistor.
- 1 100K Pot for RV1
- 2 2SC1815 or 2SC945 for TR1 and TR2.
- 2 SPST Switches for SW1 and SW2.
- 1 BNC Socket.
- 1 9 Volt Battery and connector.

DRAWING BY: Rick Jackson Copyright © Euro Radio Co

Title		
ERC TWO TONE GENERATOR		
Size	Document Number	Rev
	ERC 2 TONE GEN.SCH	0.2
Date:	Monday, August 04, 2008	Sheet 1 of 1