

CONSTRUCTION

THE CONSTRUCTION OF THE PRE-AMP IS SIMPLE USING VHF TECHNIQUES. KEEP ALL LEADS AS SHORT AS POSSIBLE. ALL COMPONENTS ARE SOLDERED DIRECTLY TO THE PCB ENSURING THAT THE TRANSISTOR IS MOUNTED CORRECTLY ORIENTATED. THE COILS ARE WOUND ON A SUITABLE FORMERS FITTED WITH FERRITE CORES.

THE PROTOTYPE SHOWED NO SIGNS OF INSTABILITY UP TO 850 MHz.

IF THE GAIN IS TO HI IT IS PERFERABLE TO REDUCE THE OUTPUT BY USING A RESISTIVE ATTENUATOR RATHER THAN ALTER THE RESISTOR VALUES SHOWN IN THE

THE CAPACITOR C4 IS NOT MOUNTED ON THE PCB AND ITS VALUE IS NOT CRITICAL.

COMPONENTS LIST

ALL RESISTORS 1/4 WATT METAL FILM

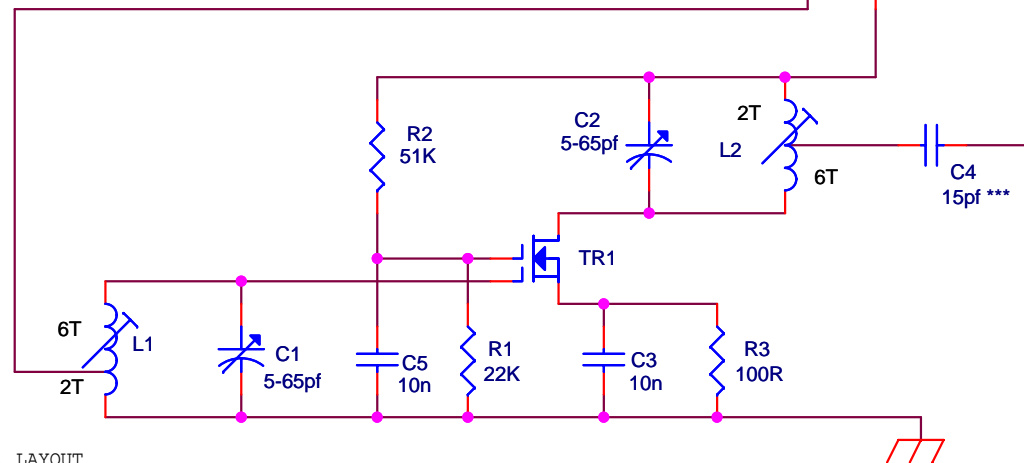
- R1 = 22K
- R2 = 51K
- R3 = 100R
- R4 = 5R 1/2 Watt
- R5 = 10R
- R6 = 220R
- R7 = 120R 1 WATTS

CAPACITORS

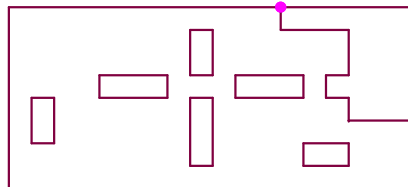
- C1*2 = 5-65pf MINIATURE TRIMMERS
- C3*5*10 = 10n MONOLITHIC CERAMIC
- C4 = 15pf CERAMIC ***
- C6 = 47u/16 VOLTS
- C7 = 470u/25 VOLTS
- C8 = 10n CERAMIC
- C9 = 5pf CERAMIC

SEMICONDUCTORS

- TR1 = BF960/1 MOSFET
- D1 = 1M4003
- D2 13.2 VOLT ZENER 1 WATTS
- D3*4 = 1N60
- RY1 = Relay 12 VOLT 1 AMP DPDT
- L1 L2 1/4 Inch Former



P.C.B. LAYOUT



NOT TO SCALE

TRUE MEASUREMENT 2 x 1 INCH
THE P.C.B. IS DOUBLE SIDED.

THE RELAY AND SWITCHING COMPONENTS ARE MOUNTED ON A SMALL PIECE OF VEROBOARD.

Designed By: Rick Jackson Euro Radio Co.

Title		
ERC PER-AMP 10/11 METERS		
Size	Document Number	Rev
	PRE-AMP SCH	A
Date:	Friday, July 02, 1999	Sheet 1 of 1