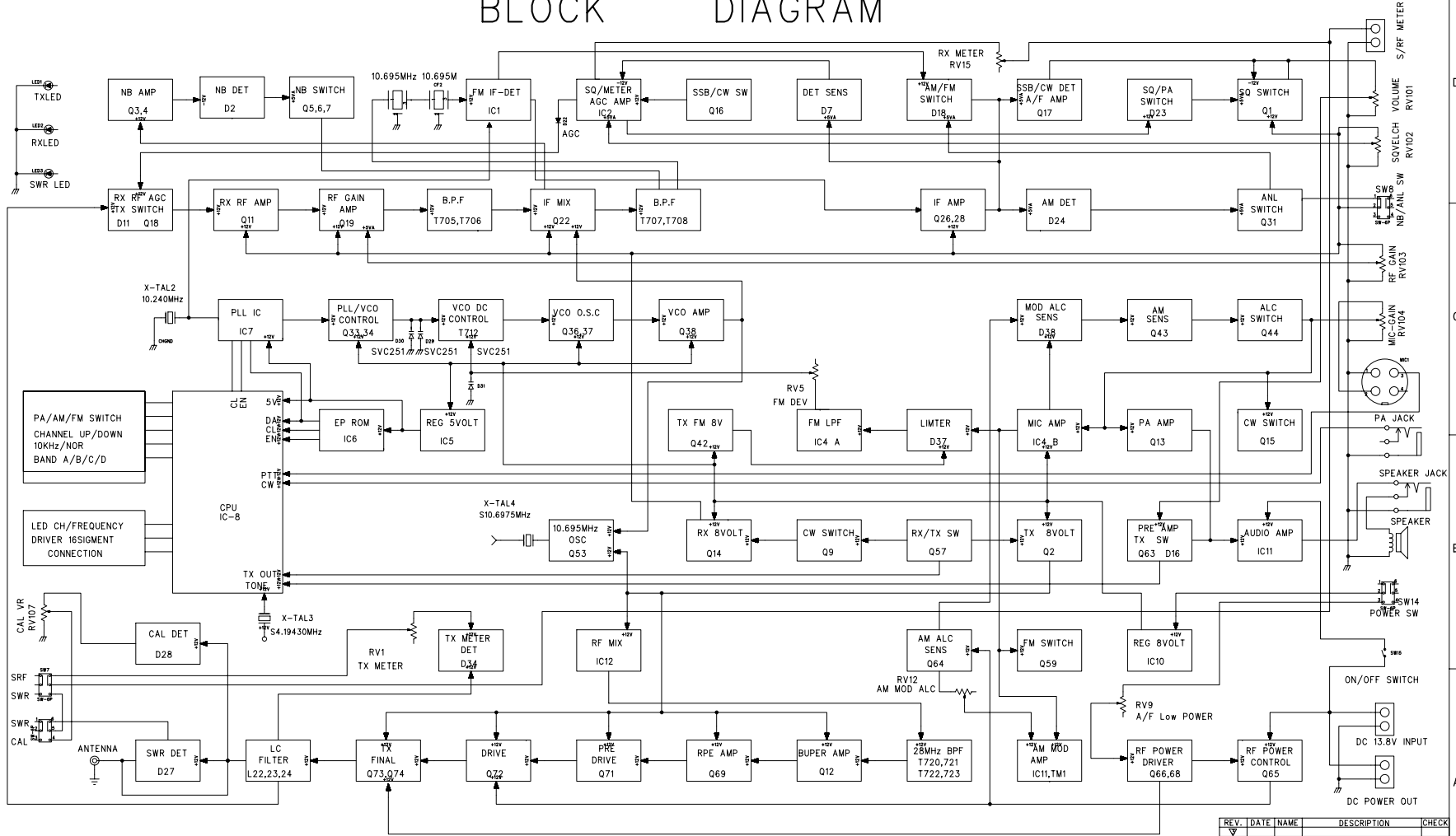


BLOCK DIAGRAM



REV.	DATE	NAME	DESCRIPTION	CHECK
1	12/18/03			
2	10/26/03			
LIMIT SCALE SHEET				
BUYER NAME :				
MODEL NAME :				
DRAW. CHK. APP.				
K.A.JUNG				
95/04/13				
DRAWING NO. :				