

1

2

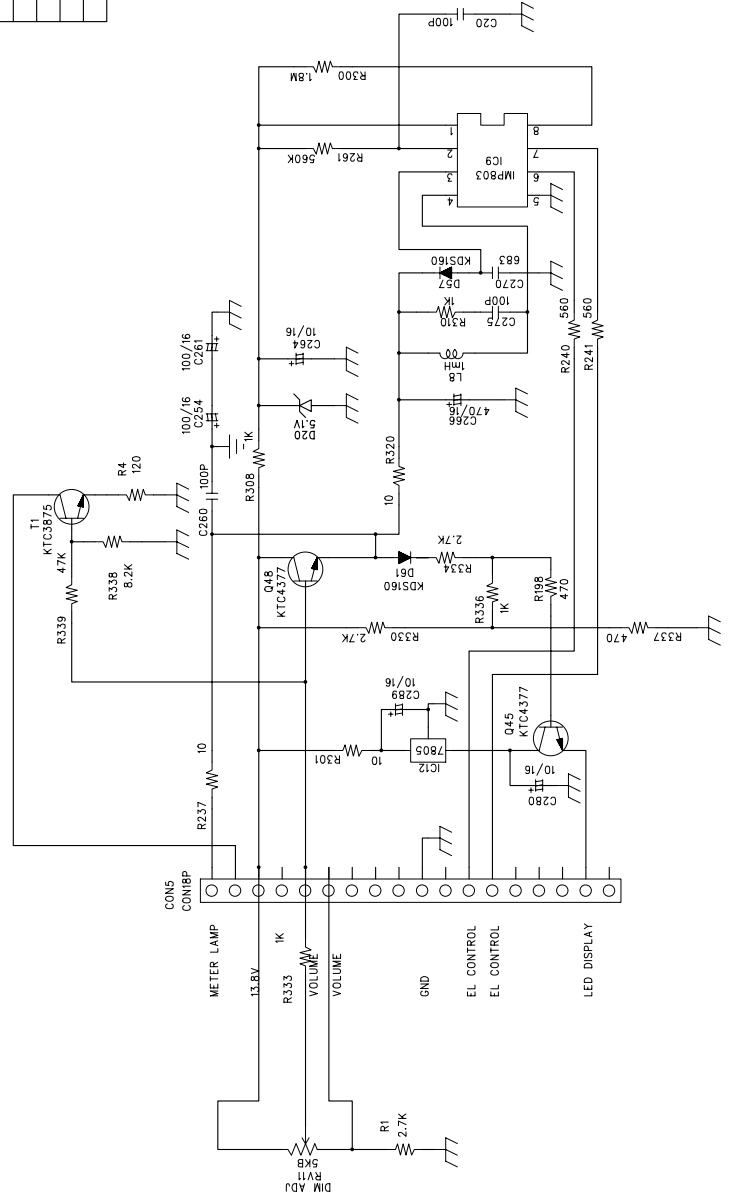
3

4

5

6

REVISION RECORD		
LTR	ECO NO:	APPROVED: DATE:



COMPANY:	
TITLE:	
DRAWN:	DATED:
CHECKED:	DATED:
QUALITY CONTROL:	DATED:
RELEASED:	DATED:
CODE:	SIZE:
DRAWING NO:	REV:
SCALE:	SHEET: OF

D

C

B

A