

6

5

4

3

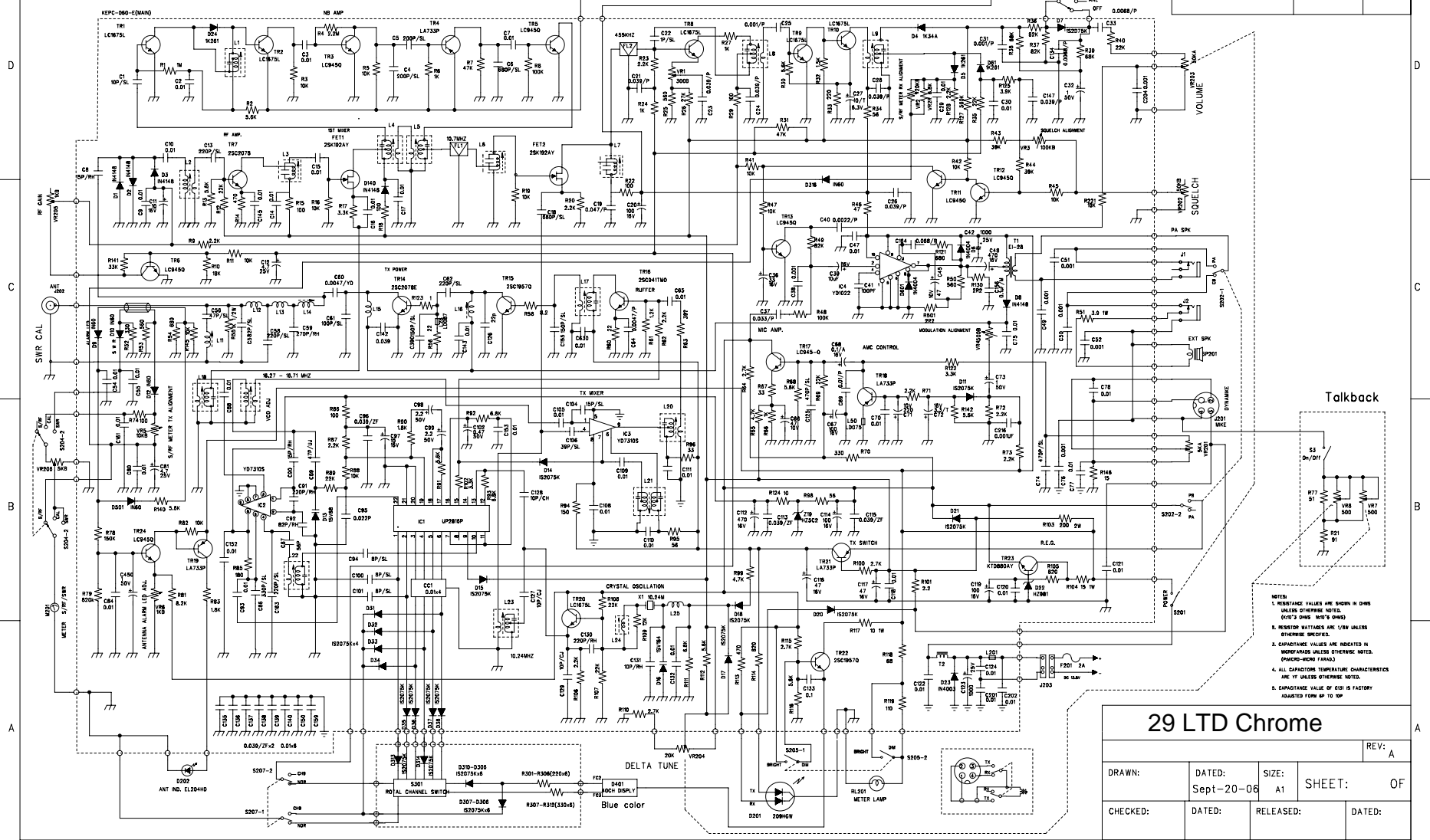
2

1

CIRCUIT DIAGRAM FOR COBRA 29LTD SE

REVISION RECORD

UPDATE TO ECN NO. APPROVED: DATE:



- NOTES
1. RESISTANCE VALUES ARE SHOWN IN OHMS UNLESS OTHERWISE NOTED. (10<sup>3</sup>'S OHMS, 10<sup>6</sup>'S OHMS)
  2. RESISTOR RATINGS ARE 1/8W UNLESS OTHERWISE SPECIFIED.
  3. CAPACITANCE VALUES ARE INDICATED IN MICROFARADS UNLESS OTHERWISE NOTED. (PICO- AND NANO-FARADS)
  4. ALL CAPACITORS TEMPERATURE CHARACTERISTICS ARE "W" UNLESS OTHERWISE NOTED.
  5. CAPACITANCE VALUE OF C23 IS FACTORY ADJUSTED TO 10 P.P.

29 LTD Chrome

REV: A			
DRAWN:	DATED: Sept-20-06	SIZE: A1	SHEET: OF
CHECKED:	DATED:	RELEASED:	DATED: