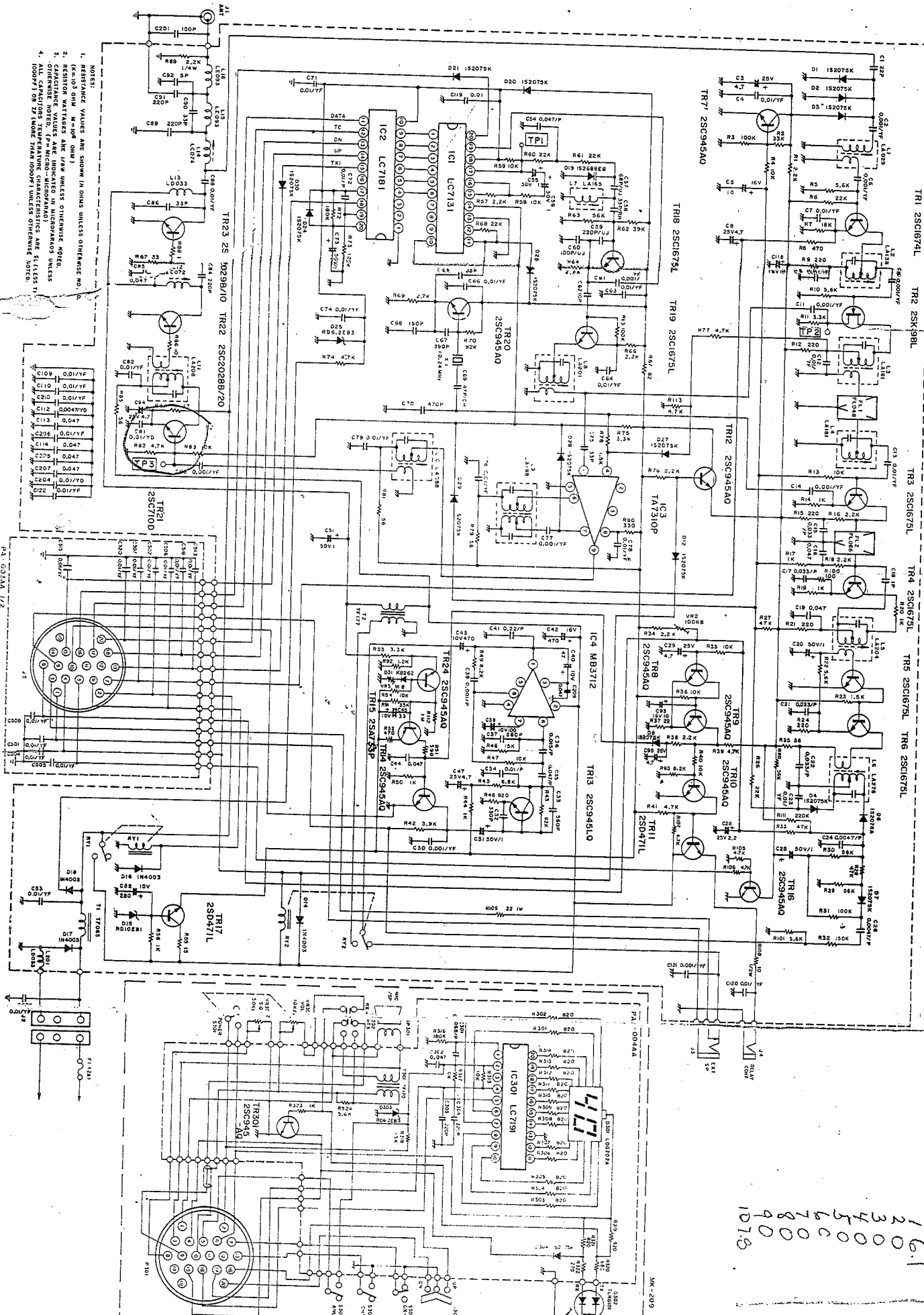


CIRCUIT DIAGRAM FOR COBRA 66LTD



- NOTES:
1. RESISTANCE VALUES ARE SHOWN IN OHMS UNLESS OTHERWISE NOTED.
 2. CAPACITANCE VALUES ARE IN PICO (PIC) UNLESS OTHERWISE NOTED.
 3. CAPACITANCE VALUES ARE IN MICRO (MICRO) UNLESS OTHERWISE NOTED.
 4. ALL CAPACITORS TEMPERATURE CHARACTERISTICS ARE FL1555 UNLESS OTHERWISE NOTED.

C10	0.01/1YF
C11	0.01/1YF
C12	0.01/1YF
C13	0.01/1YF
C14	0.047
C15	0.047
C16	0.047
C17	0.047
C18	0.047
C19	0.01/1YF
C20	0.01/1YF
C21	0.01/1YF
C22	0.01/1YF
C23	0.047
C24	0.047
C25	0.047
C26	0.047
C27	0.047
C28	0.01/1YF
C29	0.01/1YF
C30	0.01/1YF

161
2000
3400
4000
5000
6000
7000
8000
9000
1078

4713
20713